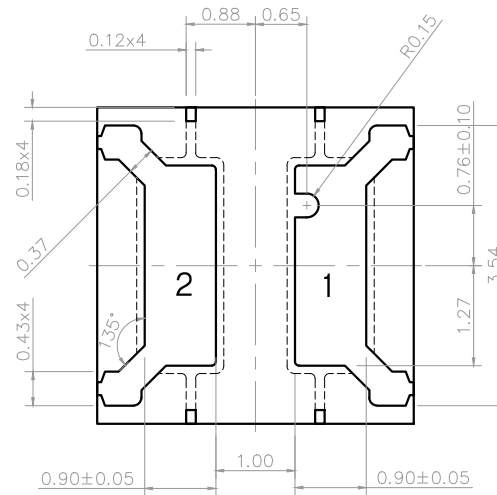
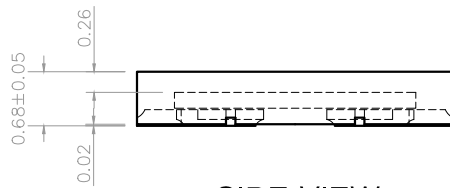


TOP VIEW



BOTTOM VIEW



SIDE VIEW

Pin Connection Scheme	
Pin No.	Connection
1	Anode
2	Cathode

Joinbon Technology Co., Ltd. (Hubei)		PROJ.		
TITLE:	PACKAGE OUTLINE	DWG. NO.	REV.	
	2 LD ODFN	---		
	4 X 4 X 0.68 MM	SHEET	SIZE	
		1 of 1	A4	
UNIT	DIMENSION AND TOLERANCES	REFERENCE DOCUMENT		
MM		---		